



UNIPAL
INTERNATIONAL
ltd. co.



UNIPAL – MORE THAN A PALLET
In association with Swift Commodities

Unipal International & Swift Commodities,

Bringing UNIPAL's innovative technologies to Africa

In this document,

- Overview
- Unipal Technologies and Products
- Satisfied Customers
- Pricing
- How To Get Samples
- Contact Details

Unipal International, Ltd. Co....

Overview

- UNIPAL is one of the most innovative technologies in the pallet and packaging industry, and certainly without comparison within the *corrugated* pallet industry.
- Unipal International, Ltd. Co. is working with Swift Commodities (Pty) to bring these innovative technologies to Africa to cater for a transformational market that has arisen due to regulatory, industry, and global economic changes, and green initiatives.
- UNIPAL technology alone provides for a superior product that is strategically positioned to meet evolving industry and global market demands.
- This successful technology can be used to create an entire product line of corrugated “Transportation Platforms,” Pallets, Crates, and other Unique Packaging or Value Added Solutions for shipping and storage.

Talking about UNIPAL...

UNIPAL is a modular system to manufacture corrugated pallets.

Why modular?



Construction: the combination of stringers and cross-stringers provides outstanding beam strength in all directions



Flexible: UNIPAL comes with or without a top and/or bottom sheets – depending on individual requirements

UNIPAL History

... tested technology & products

UNIPAL products:

- Have been in use for more than a decade in international shipping (air, sea, rail and land).
- Have demonstrated lower shipping costs vs wooden & plastic pallets.
- Typically result in freight savings ranging from 1,300 to 2,000 lbs per full trailer.
- Absorb shock & vibration, minimizing damage to the product.
- Are available in water resistant configurations.



Compliant

... in line with all international shipping requirements (ISPM 15)

UNIPAL products meet all packaging requirements (phytosanitary measures) for today's international shipping regulations.

UNIPAL pallets eliminate the necessity for costly heat treatments and complex logistics.



Versatile

... sizes from 24"x16" (600mm x 400mm) to 75"x60" (1900 mm to 1530 mm)



UNIPAL pallets out perform all other corrugated pallets on the market today. **UNIPAL's** unique design and flexible construction enables a large variety of sizes for both 2- or 4-way entry solutions.

Superior

... dynamic loads up to 1.5 tons (3,000 lbs), static loads up to 7 tons (15,000 lbs)*

UNIPAL combines intelligent construction and solid material into one high performance product.



* Please note, that the UNIPAL pallets are customized to the customer's specifications. Thus, the transport capability of a particular UNIPAL pallet may vary.

Lightweight

... approximately 25% of a wooden pallet

Thanks to the innovative spirit of our engineers **UNIPAL** can offer an outstanding low weight.
A typical 48" X 32" **UNIPAL** pallet is 13 lbs (6kg) !



Hygienic and dry

... a totally clean solution

UNIPAL products fulfill all requirements of today's cleanliness needs. Unlike wooden pallets, **UNIPAL Pallets** won't harm a load with moisture, thus eliminating the risk of mold.

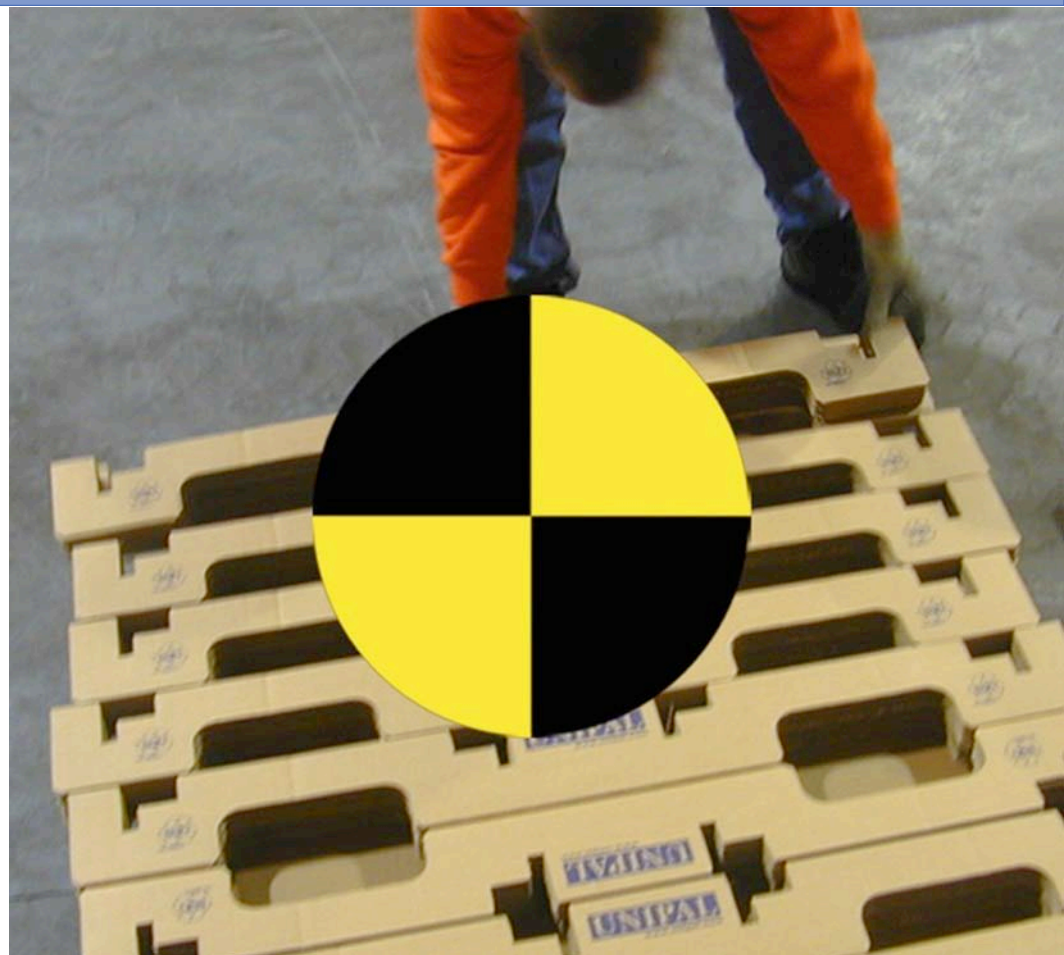
UNIPAL Pallets also eliminate chemical and fire retardant concerns associated with plastic pallets.



Safe

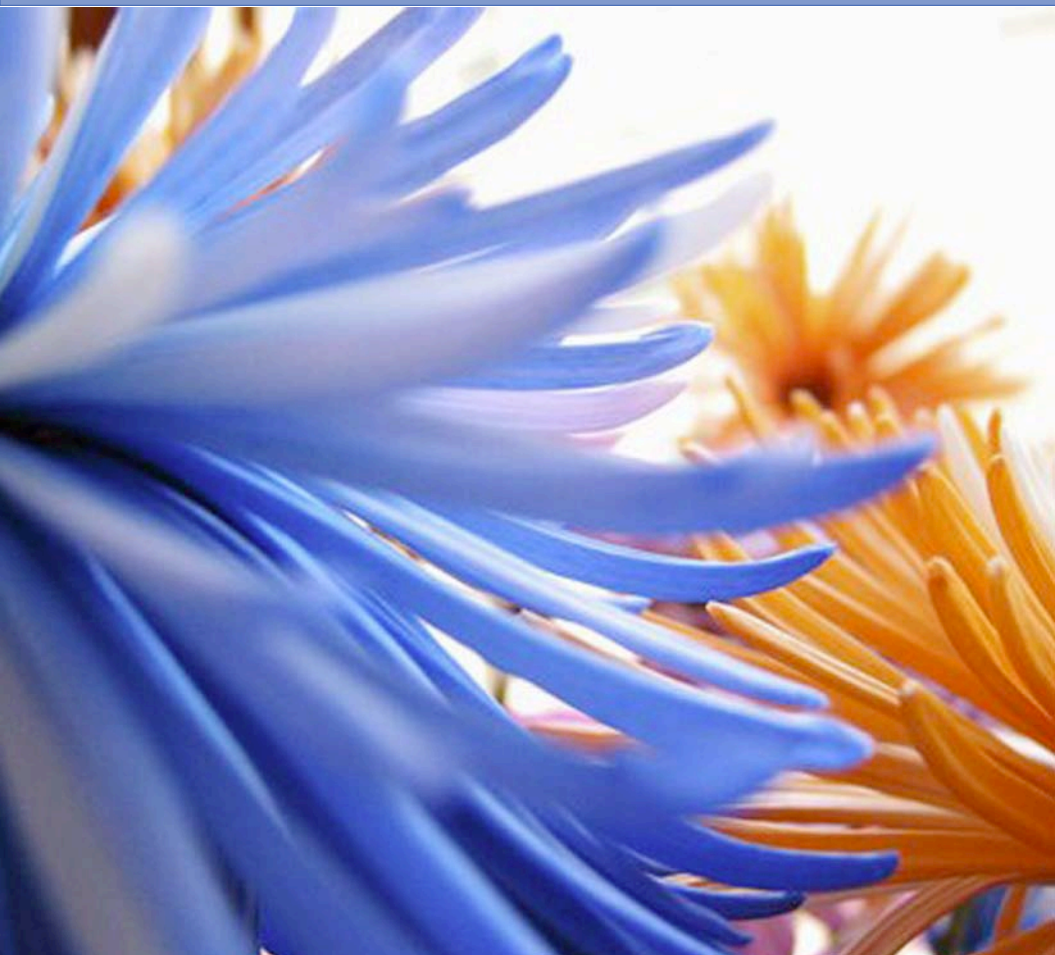
... secure handling

UNIPAL means easy and safe handling, requires minimal mechanical assistance and eliminates injuries caused by loose nails, jagged edges and splinters.



Recyclable

... 100 % and able to be made from recycled paper



UNIPAL products ensure an environmentally friendly way of doing business.



Customizable

... tailor-made to user specified requirements

A printed **UNIPAL pallet** can globally carry product and the company's message providing tremendous branding opportunities.



Efficient

...save money, freight costs & warehouse space by assembling on location

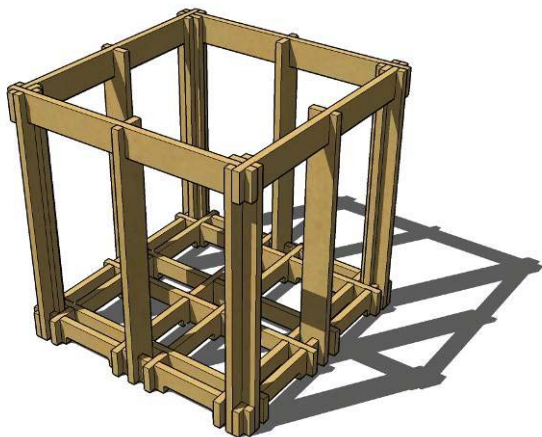
The option of assembling **UNIPAL** pallets at the point of use provides important transport and storage advantages. Some **UNIPAL** pallet configurations can be easily assembled at the point of use, even without using glue.



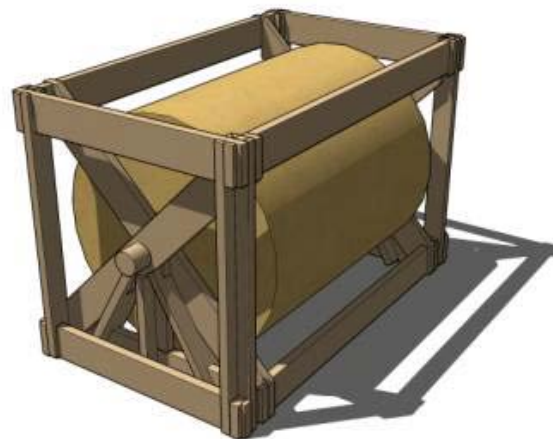
UNIPAL solutions

... UNIPAL structures – if there is a need for more than a pallet

UNIPAL lumber can be utilized to create a three dimensional enclosure that provides complete protection for its contents.



UNIPAL structures form heavy duty packaging enclosures with an integrated pallet

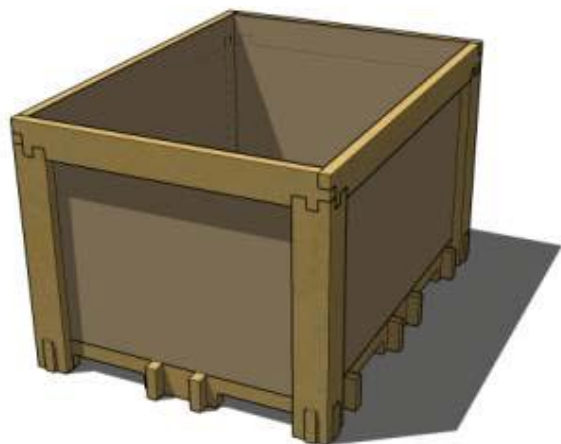


UNIPAL structure for the transport of paper reels

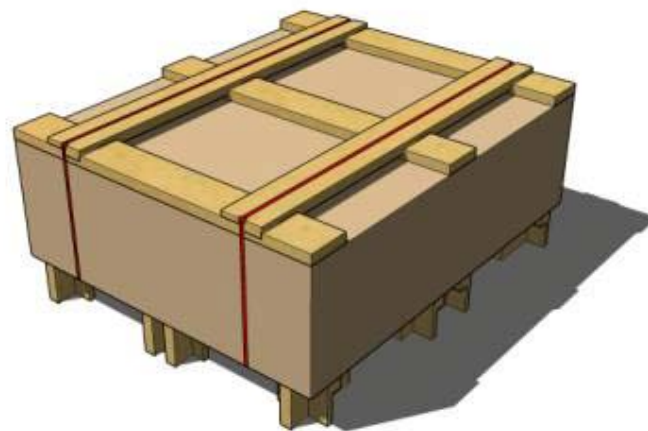
UNIPAL solutions

... UNIPAL structures

– depending on user requirements the UNIPAL technology can be used for a variety of solutions, custom designed for each user



UNIPAL enclosure for the transport of smaller goods



UNIPAL top cover for strapping

Satisfied Customers

PALLET BUSINESS

Domestic US – Current Customers

Addco Ann Sacks Arrow Electronics Clearwater Paper Ernest Packaging 3M Carestream Health Shintech
Leatherman's Micropump US State Department Xpedex Expeditors Foam Tech SGL/BMW

Domestic US – In Evaluation/Test Mode

Georgia Pacific Commodore Johnson & Johnson

International – Current Customers

Aiwa General Motors Johnson & Johnson Konica LG Electronics Olympus Sony Yamaha Paper

International – In Evaluation/Test Mode

Alok Industries

CRATING BUSINESS

Domestic US – Current Customers

Food Design General Electric Ire Tex Northwest Crating Rockmore Drill Bits Toyo Tanso USA
Climax Portable Tools Harder Mechanical Contractors

Domestic US – In Evaluation/Test Mode

Precision Cast Parts Metso

Unipal International, Ltd. Co....

Pricing

- With Production set to take in South Africa, you will not have to worry about budget adjustments to adapt to UNIPAL pallets. The prices will be on par with wooden pallet prices of the same sizes.

Testing the product...

get samples

- Although UNIPAL technologies have been tried and tested worldwide, you too can get a chance to test their innovative products.
- Swift Commodities (Pty) is gathering interested parties requirements so that they can supply you with the pallet you need to test.
- To request samples please use one of the following methods,
 - Visit the link below,

http://www.swiftcommodities.com/?page_id=98

- Send us an email at info@swiftcommodities.com

Your business partner

... for innovative pallet solutions



Contact:

Swift Commodities

Info@swiftcommodities.com

www.swiftcommodities.com